

Madison, Wisconsin

CITY OF MADISON

CITY ENGINEERING DIVISION DEPARTMENT OF PUBLIC WORKS

PLAN OF PROPOSED IMPROVEMENT

PUBLIC IMPROVEMENT PROJECT
APPROVED
JUNE 5, 2018
BY THE COMMON COUNCIL
OF MADISON, WISCONSIN

PUBLIC IMPROVEMENT DESIGN
APPROVED BY:
[Signature] 6/14/18
City Engineer Date

INDEX OF SHEETS - STREETS

SHEET NO.	TITLE
1	PROJECT LOCATION MAP
LM1	ABERG AVE PATH PLAN
P1-P2	ASBURY PATH PLAN
P3	CAPITAL CITY PATH PLANS
P4-P5	COOPER LANE PATH PLAN
P6	GLENWAY PATH PLAN
P7	MINERAL POINT PATH PLANS & PROFILE
P8-P9	ONTARIO PARK PATH PLAN & PROFILE
P10	STACY-MEADOWLARK PATH PLAN
P11	WINGRA CREEK PATH PLANS
P12-P15	ONTARIO PARK PATH CROSS SECTIONS
X1	

BIKEWAYS 2018

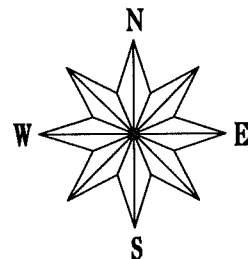
CITY PROJECT NO. 11754
CITY CONTRACT NO. 8127

PATH
DESIGNED BY:
[Signature]
6-14-18

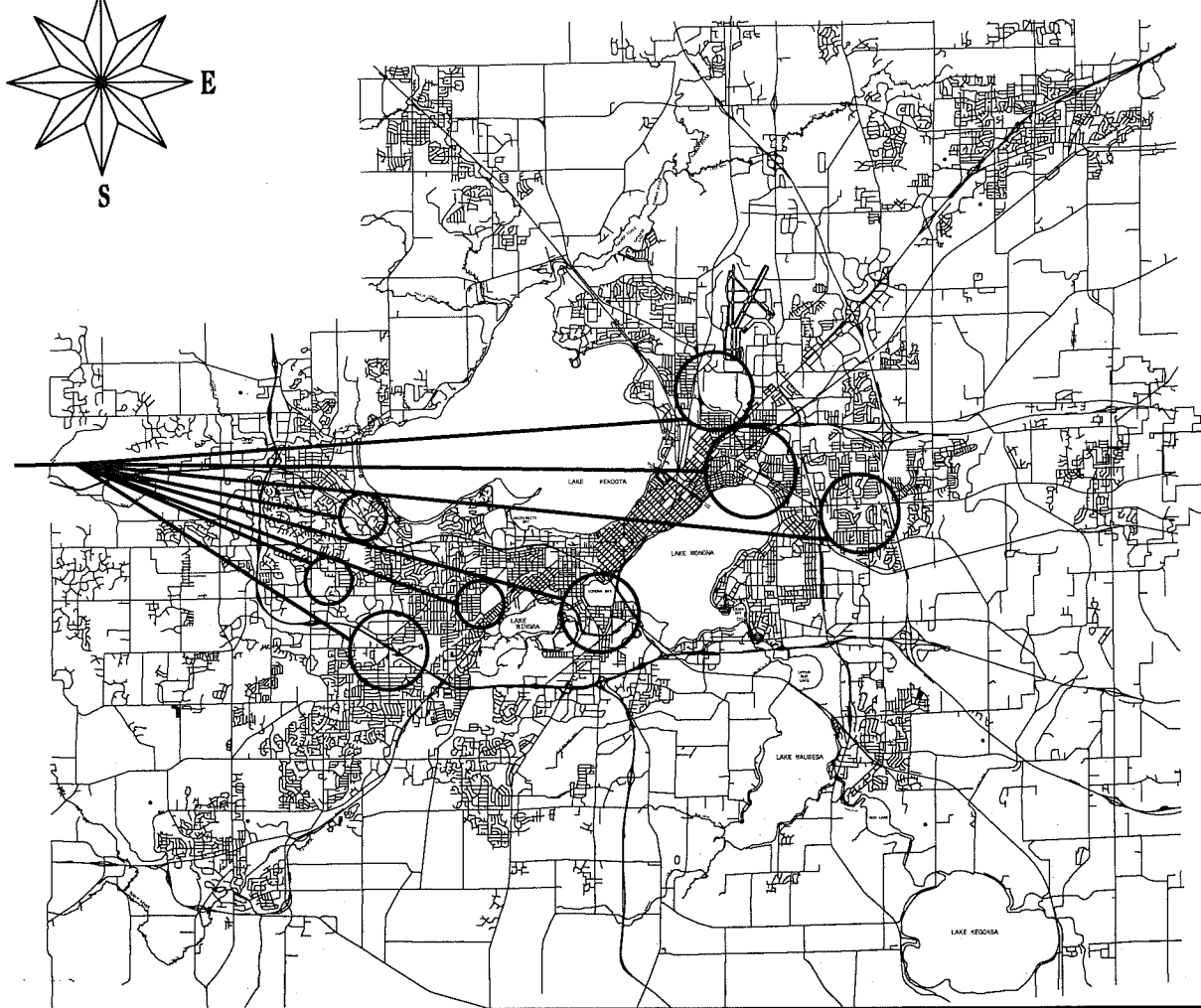
CONVENTIONAL SIGNS

FIELD VERIFY ALL UTILITY LOCATIONS

GAS	— G —
STORM SEWER	— ST —
SANITARY SEWER	— SAN —
WATER	— W —
OVERHEAD ELECTRIC	— OH —
POWER POLE	⊕
ADA COMPLIANT RAMP W/ DETECTABLE WARNING FIELD	
COMBUSTIBLE FLUIDS	



PROJECT LOCATIONS



NOTES:

ALL GUTTERS SHALL DRAIN WITH A MINIMUM GRADE OF 0.50% TOWARD STORM SEWER INLETS.

SIDEWALK RAMPS AND CURB THRU SIDEWALK RAMPS SHALL HAVE A MAXIMUM SLOPE OF 1" PER 12". SIDEWALK AND CURB RAMPS SHALL BE CONSTRUCTED WITH A SIDE SLOPE OF 1.50% UNLESS OTHERWISE SPECIFIED. SIDEWALK SHALL HAVE A MINIMUM LONGITUDINAL SLOPE OF 0.50% AND A MAXIMUM LONGITUDINAL SLOPE OF 5.00% EXCEPT WHERE STREET GRADES EXCEED 5.00%.

EARTH WORK SUMMARY:

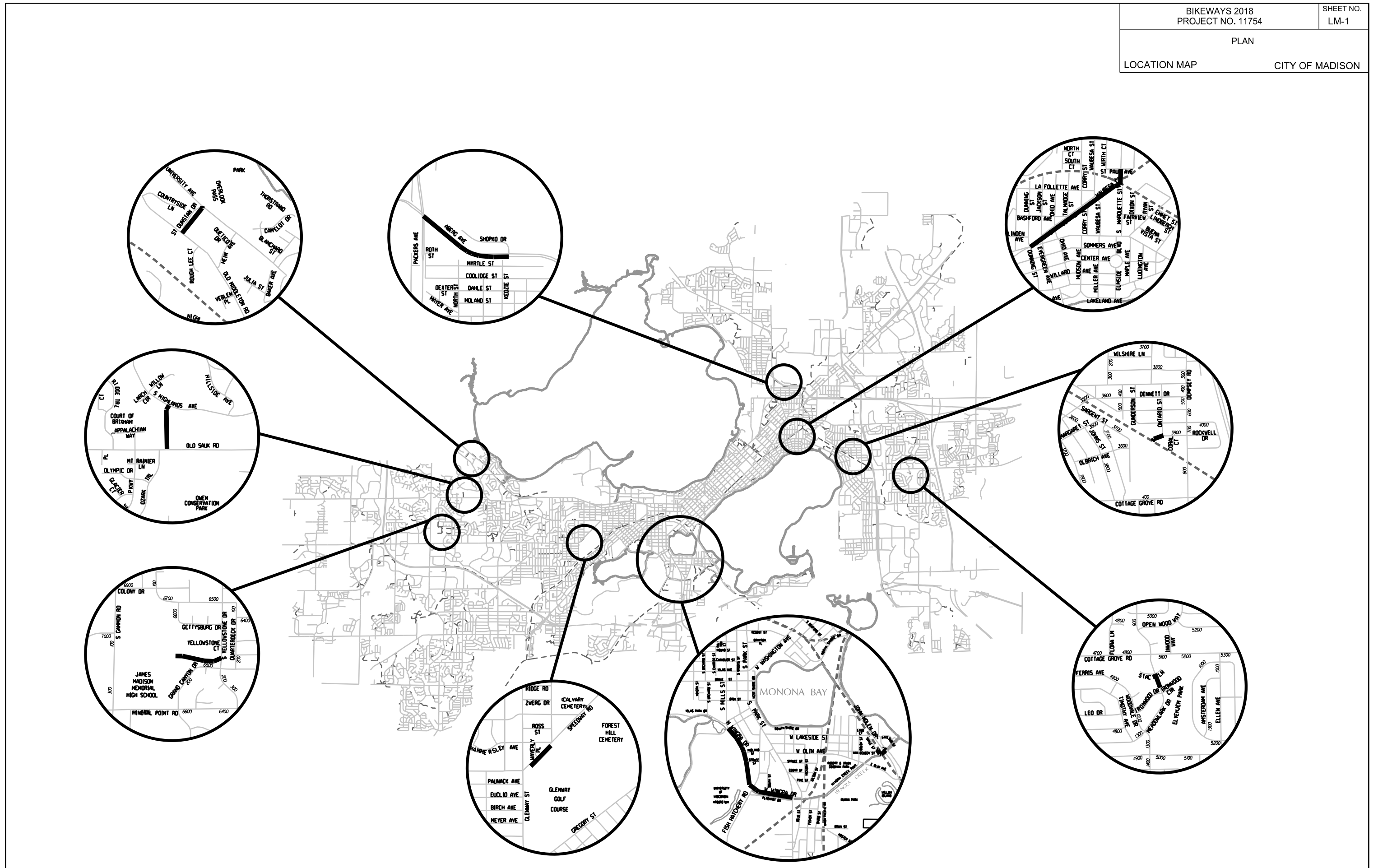
EXCAVATION CUT (MEASURED PLAN QUANTITY)...	213 C.Y.
ESTIMATED UNDISTRIBUTED UNDERCUT.....	767 C.Y.
TOTAL UNCLASSIFIED EXCAVATION CUT.....	980 C.Y.

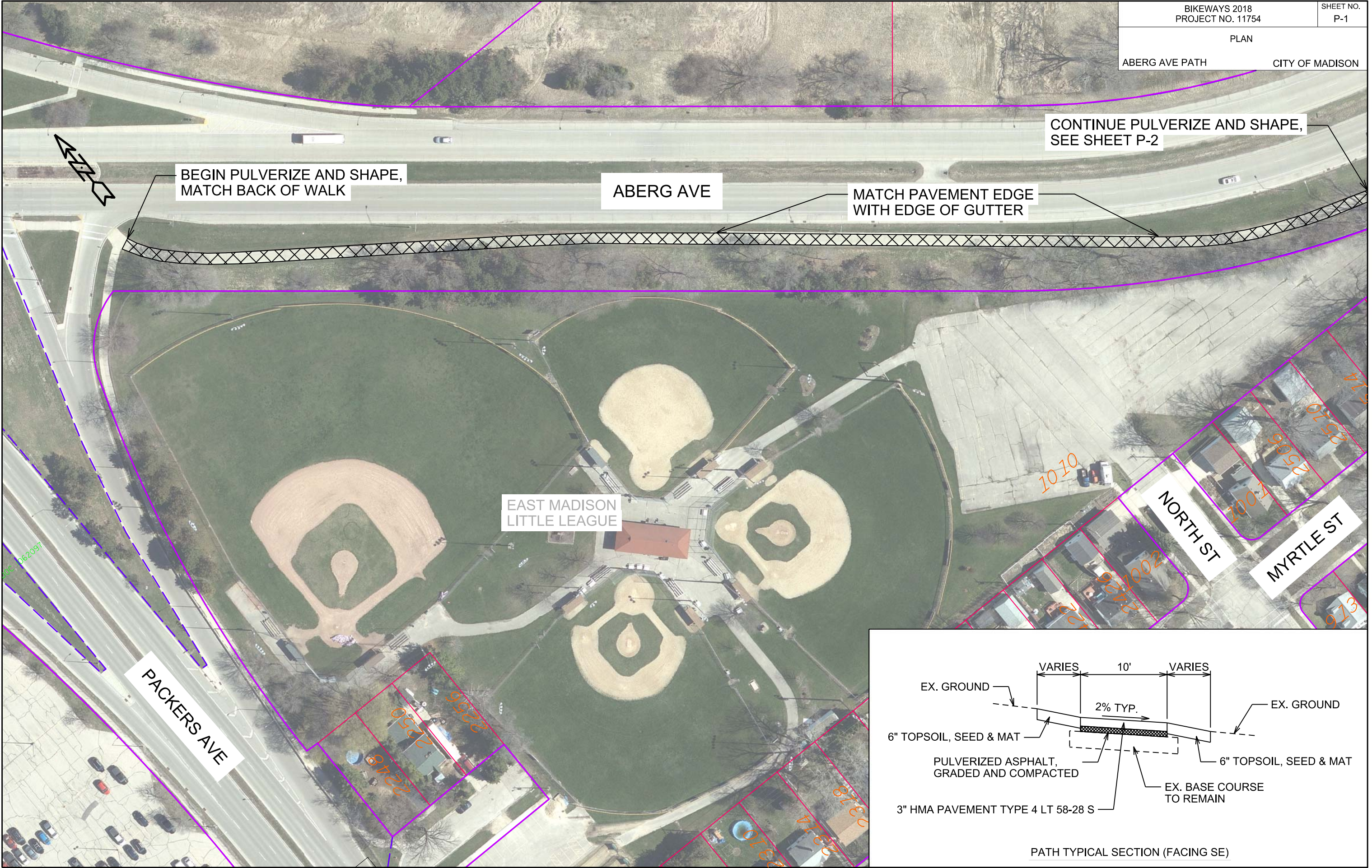
PLOT SCALE: _____

PLOT NAME: _____

REV. DATE: _____

ORIGINATOR: CITY OF MADISON, STREETS DIVISION





BEGIN PULVERIZE AND SHAPE,
MATCH BACK OF WALK

ABERG AVE

MATCH PAVEMENT EDGE
WITH EDGE OF GUTTER

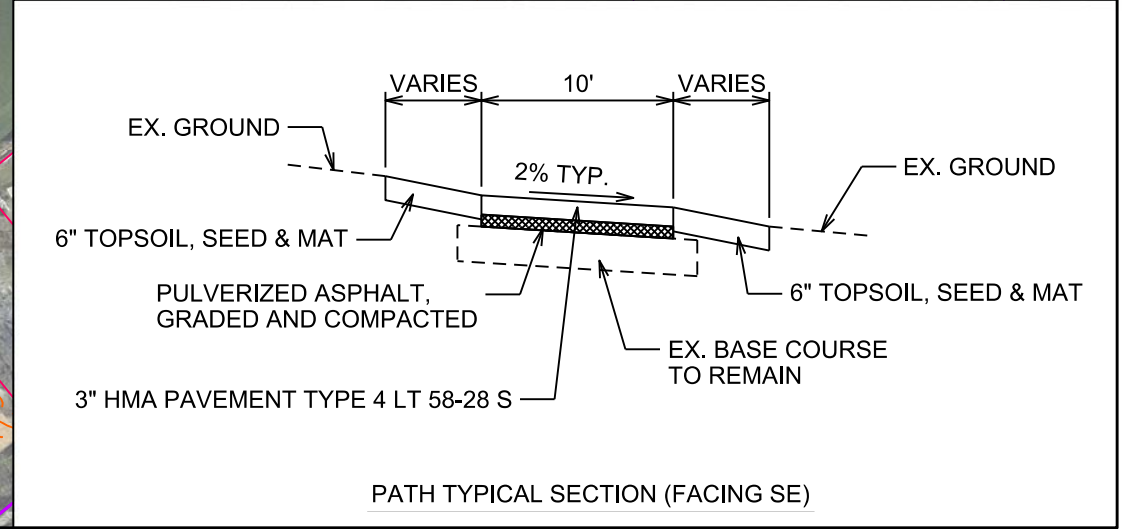
CONTINUE PULVERIZE AND SHAPE,
SEE SHEET P-2

EAST MADISON
LITTLE LEAGUE

PACKERS AVE

NORTH ST

MYRTLE ST

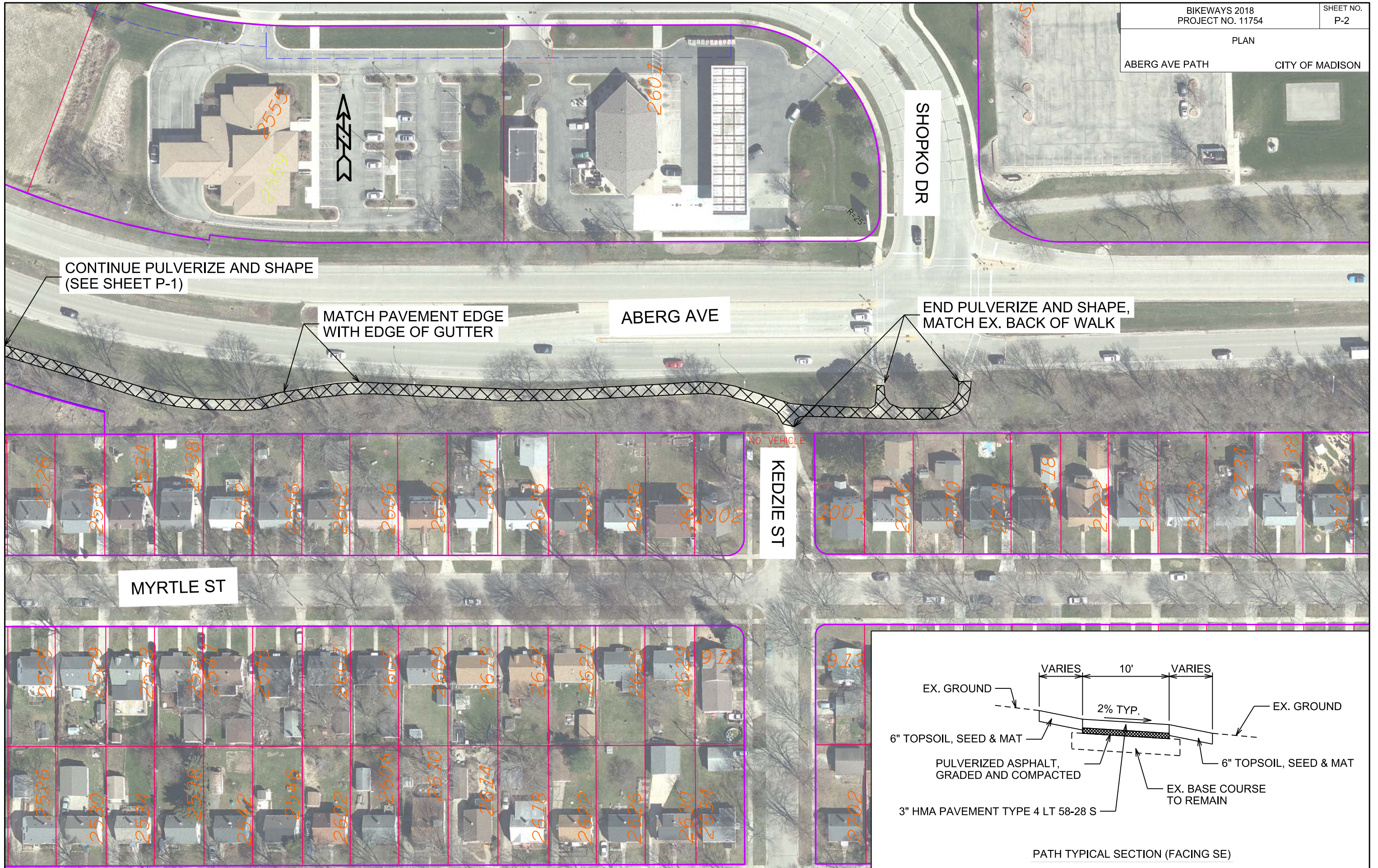


PLOT SCALE: _____

PLOT NAME: _____

REV. DATE: _____

ORIGINATOR: CITY OF MADISON, STREETS DIVISION



CONTINUE PULVERIZE AND SHAPE
(SEE SHEET P-1)

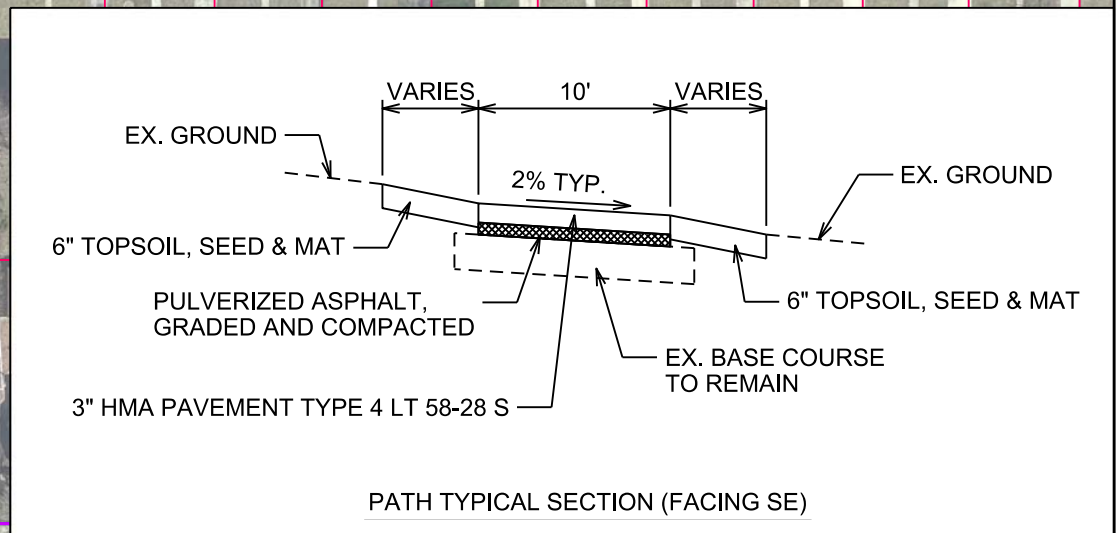
MATCH PAVEMENT EDGE
WITH EDGE OF GUTTER

ABERG AVE

END PULVERIZE AND SHAPE,
MATCH EX. BACK OF WALK

NO VEHICLE
KEDZIE ST

MYRTLE ST



PLOT SCALE: _____

PLOT NAME: _____

REV. DATE: _____

ORIGINATOR: CITY OF MADISON, STREETS DIVISION

ST DUNSTAN DR

BEGIN PULVERIZE AND SHAPE,
MATCH BACK OF WALK

END PULVERIZE AND SHAPE,
MATCH BACK OF WALK

0708-131-0618-9
ASBURY UNITED METHODIST
CHURCH
6101 University Ave

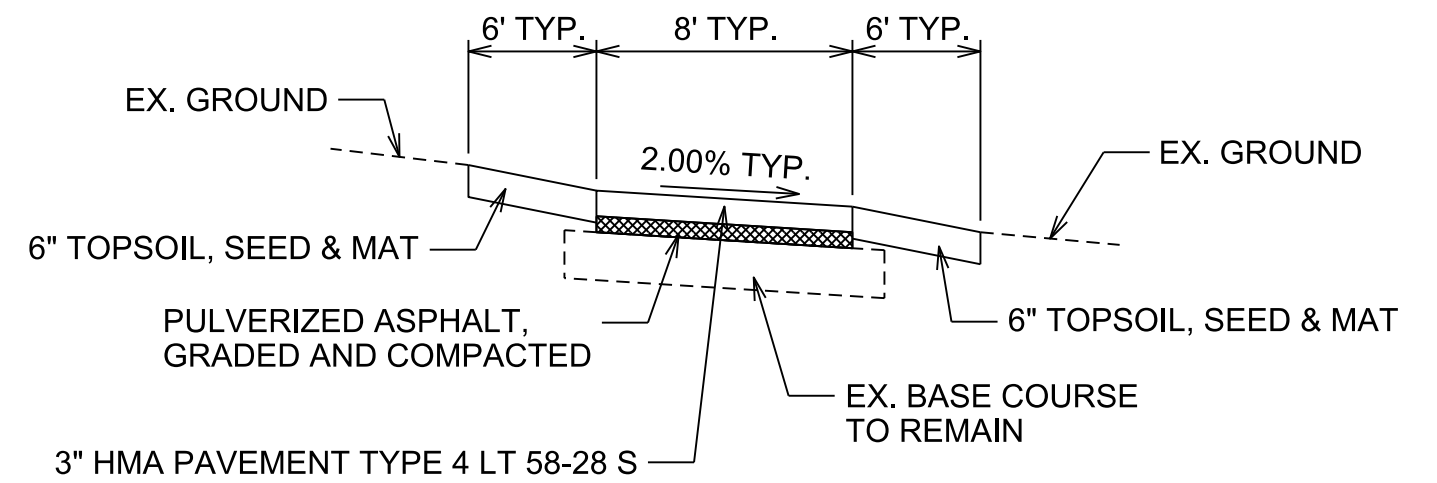
OLD MIDDLETON RD

UNIVERSITY AVE

6134

6138

6130



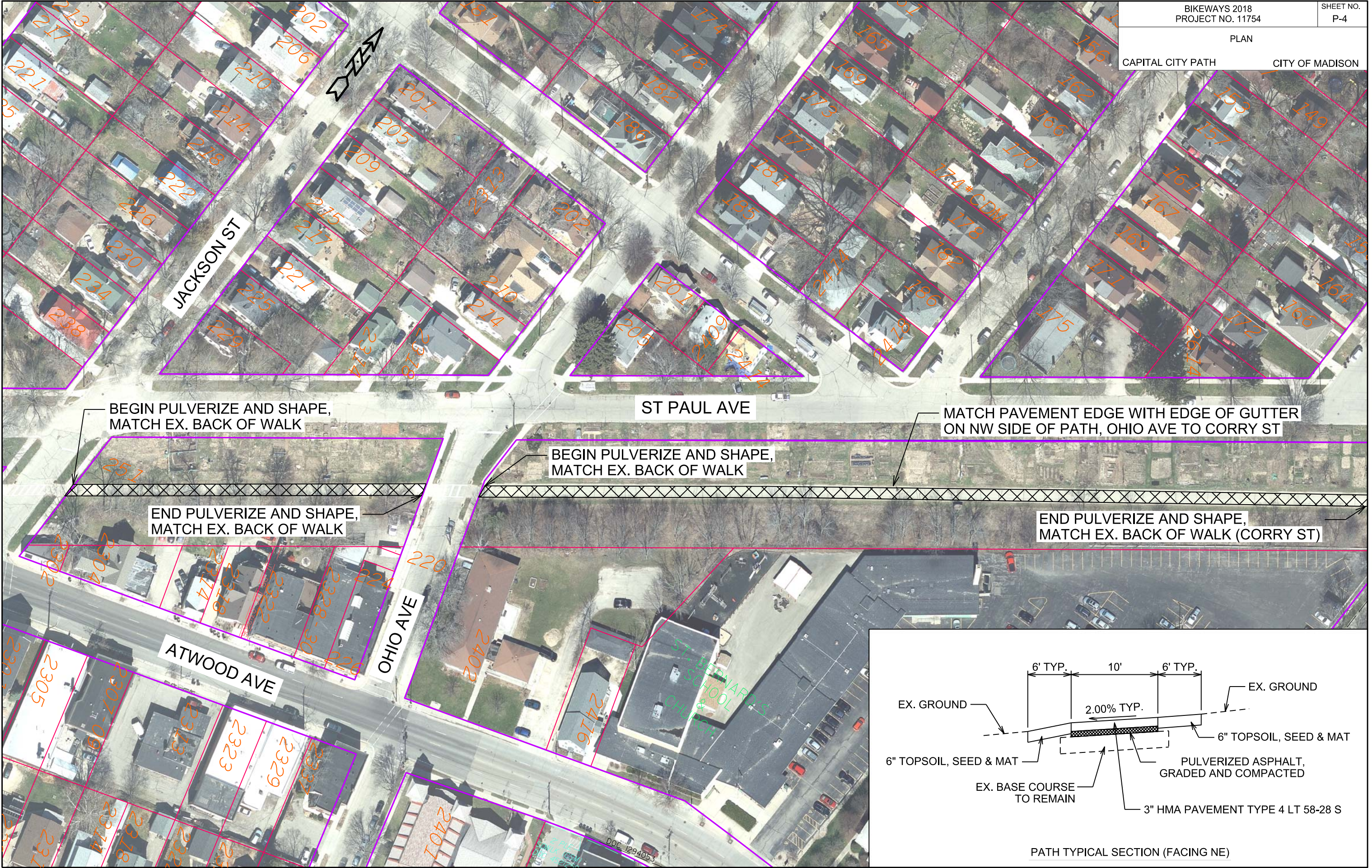
PATH TYPICAL SECTION (FACING NE)

PLOT SCALE: _____

PLOT NAME: _____

REV. DATE: _____

ORIGINATOR: CITY OF MADISON, STREETS DIVISION

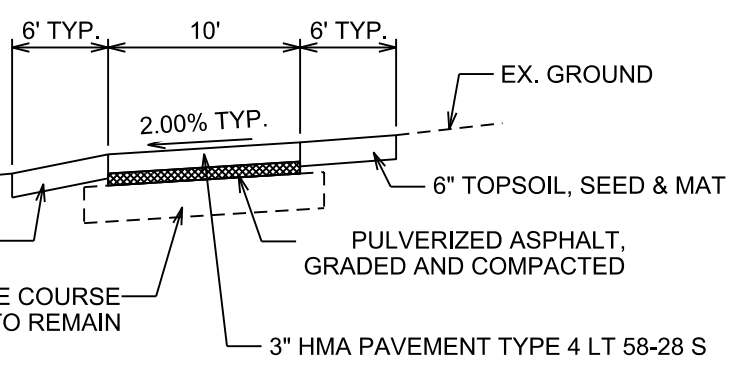
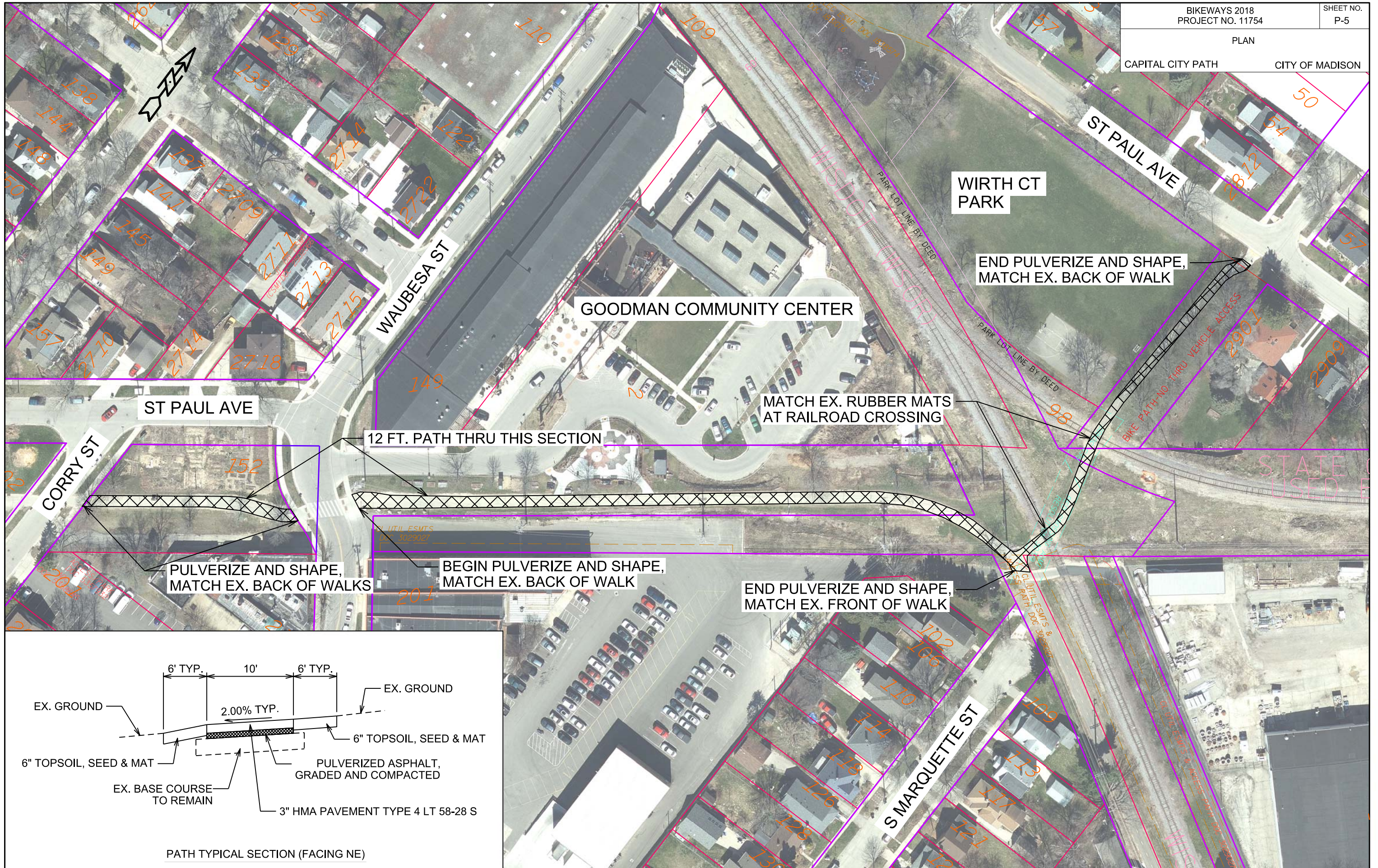


PLOT SCALE: _____

PLOT NAME: _____

REV. DATE: _____

ORIGINATOR: CITY OF MADISON, STREETS DIVISION



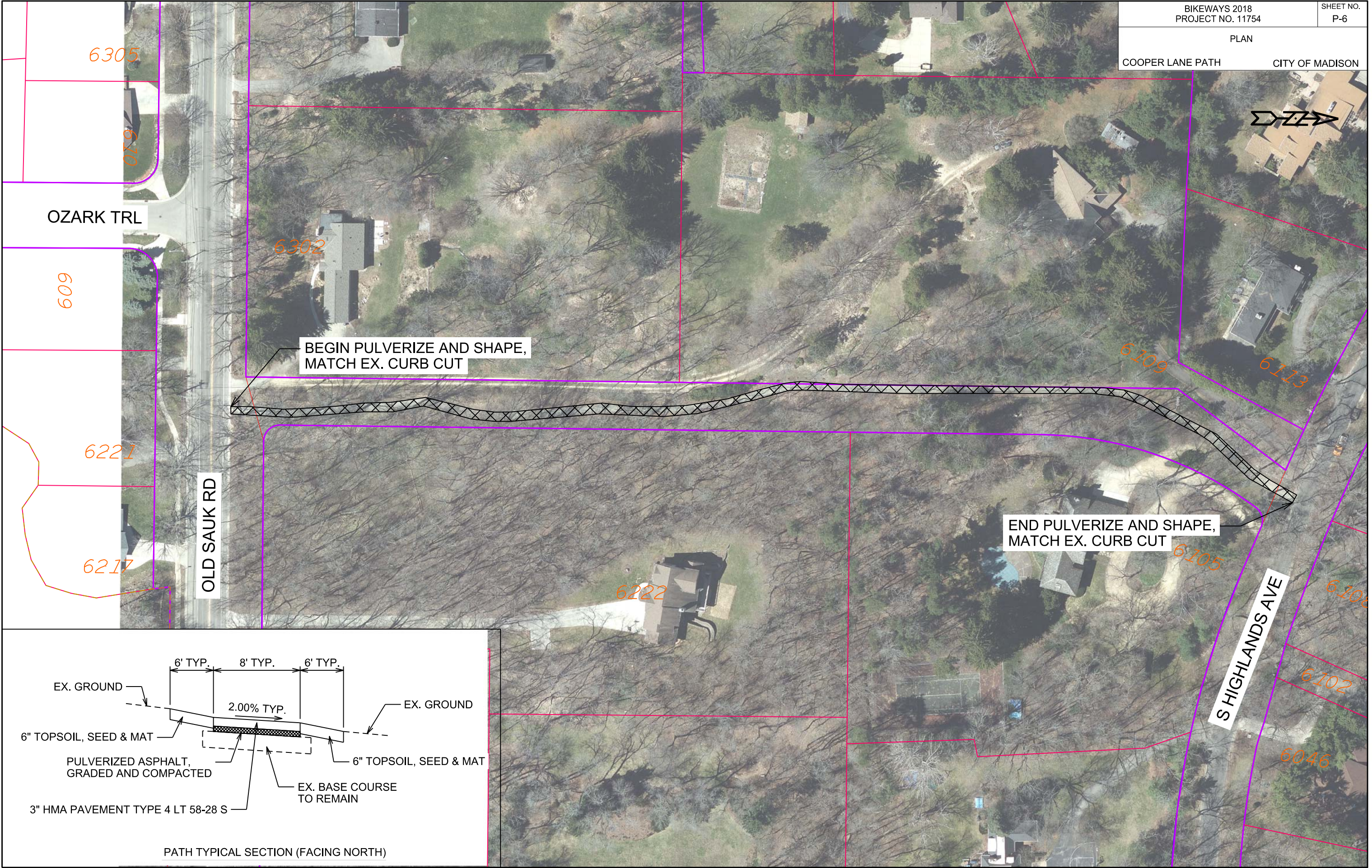
PATH TYPICAL SECTION (FACING NE)

PLOT SCALE: _____

PLOT NAME: _____

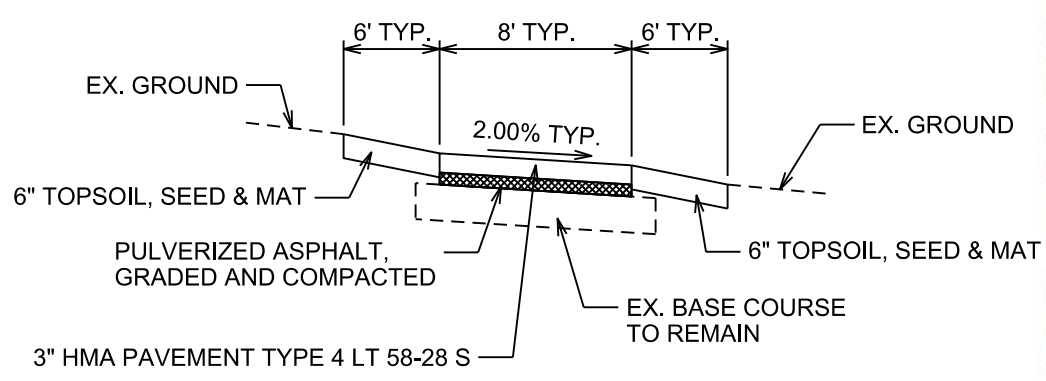
REV. DATE: _____

ORIGINATOR: CITY OF MADISON, STREETS DIVISION



BEGIN PULVERIZE AND SHAPE,
MATCH EX. CURB CUT

END PULVERIZE AND SHAPE,
MATCH EX. CURB CUT



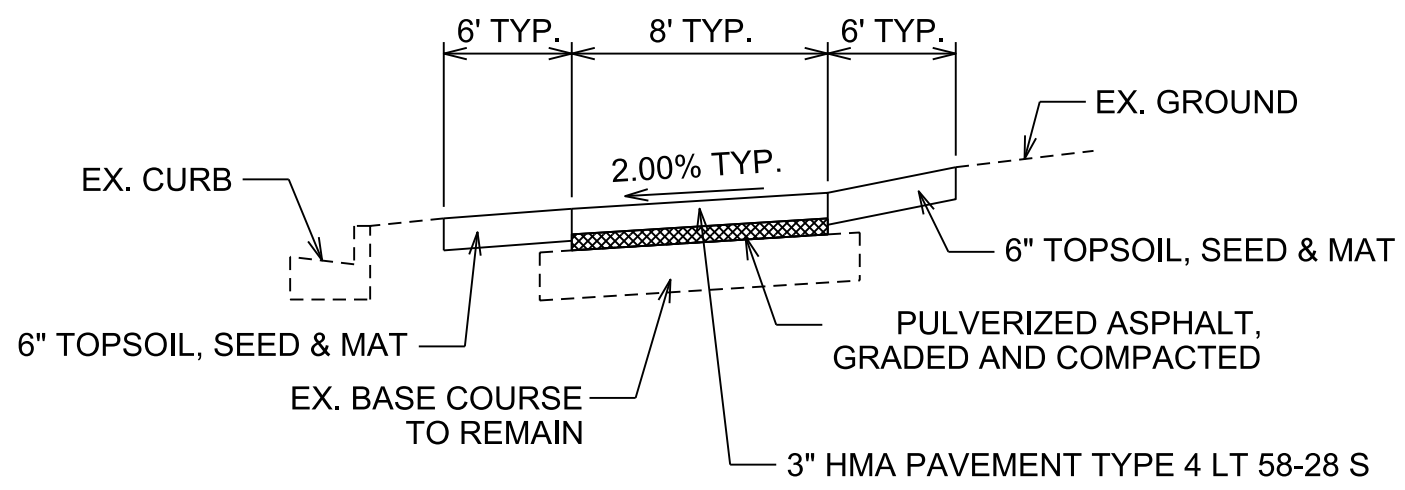
PATH TYPICAL SECTION (FACING NORTH)

PLOT SCALE: _____

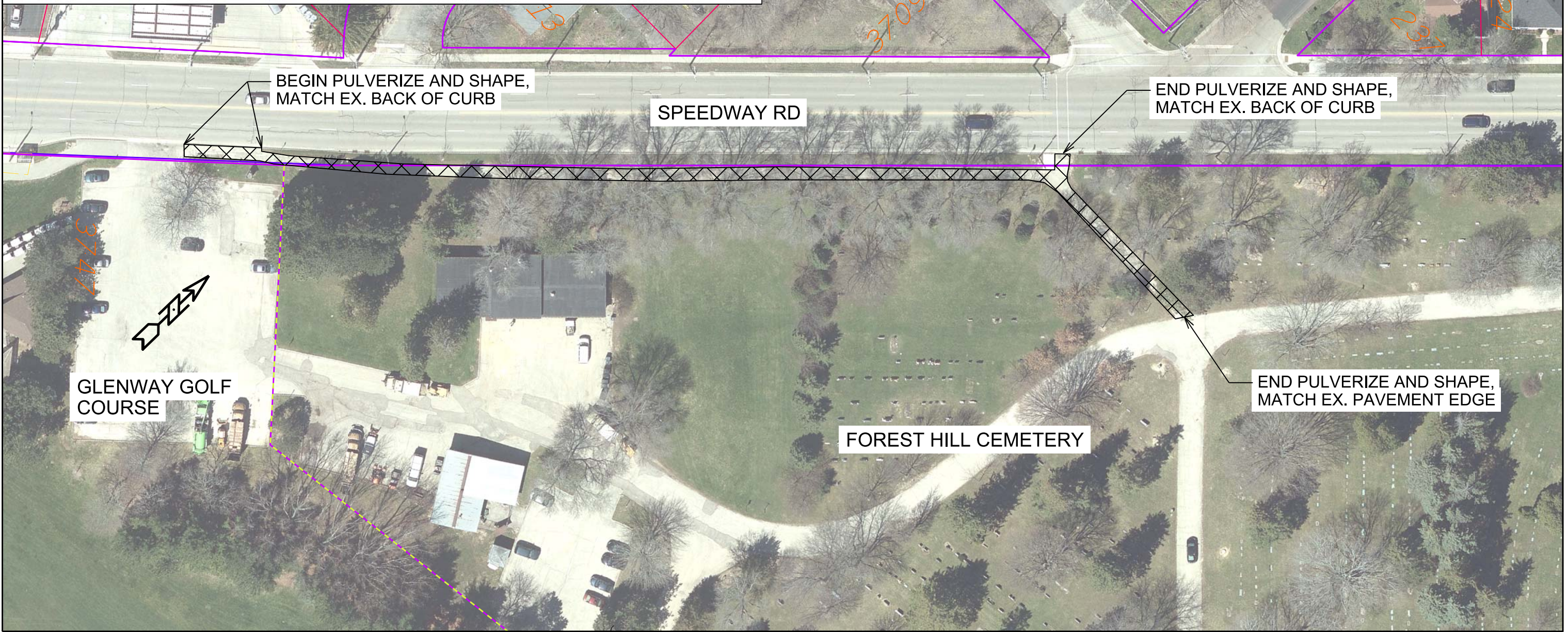
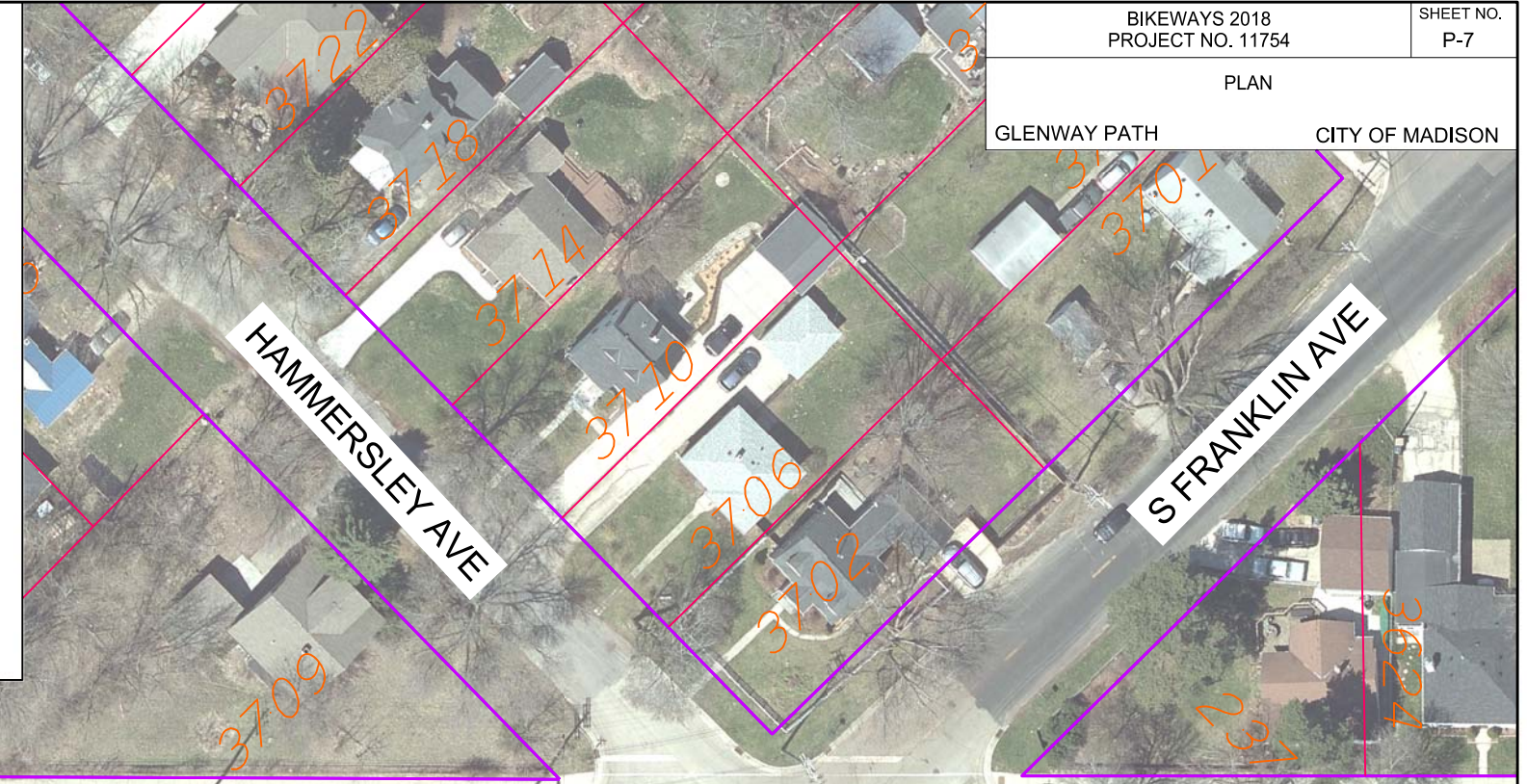
PLOT NAME: _____

REV. DATE: _____

ORIGINATOR: CITY OF MADISON, STREETS DIVISION



PATH TYPICAL SECTION (FACING NE)



BEGIN PULVERIZE AND SHAPE,
MATCH EX. BACK OF CURB

SPEEDWAY RD

END PULVERIZE AND SHAPE,
MATCH EX. BACK OF CURB

GLENWAY GOLF COURSE

FOREST HILL CEMETERY

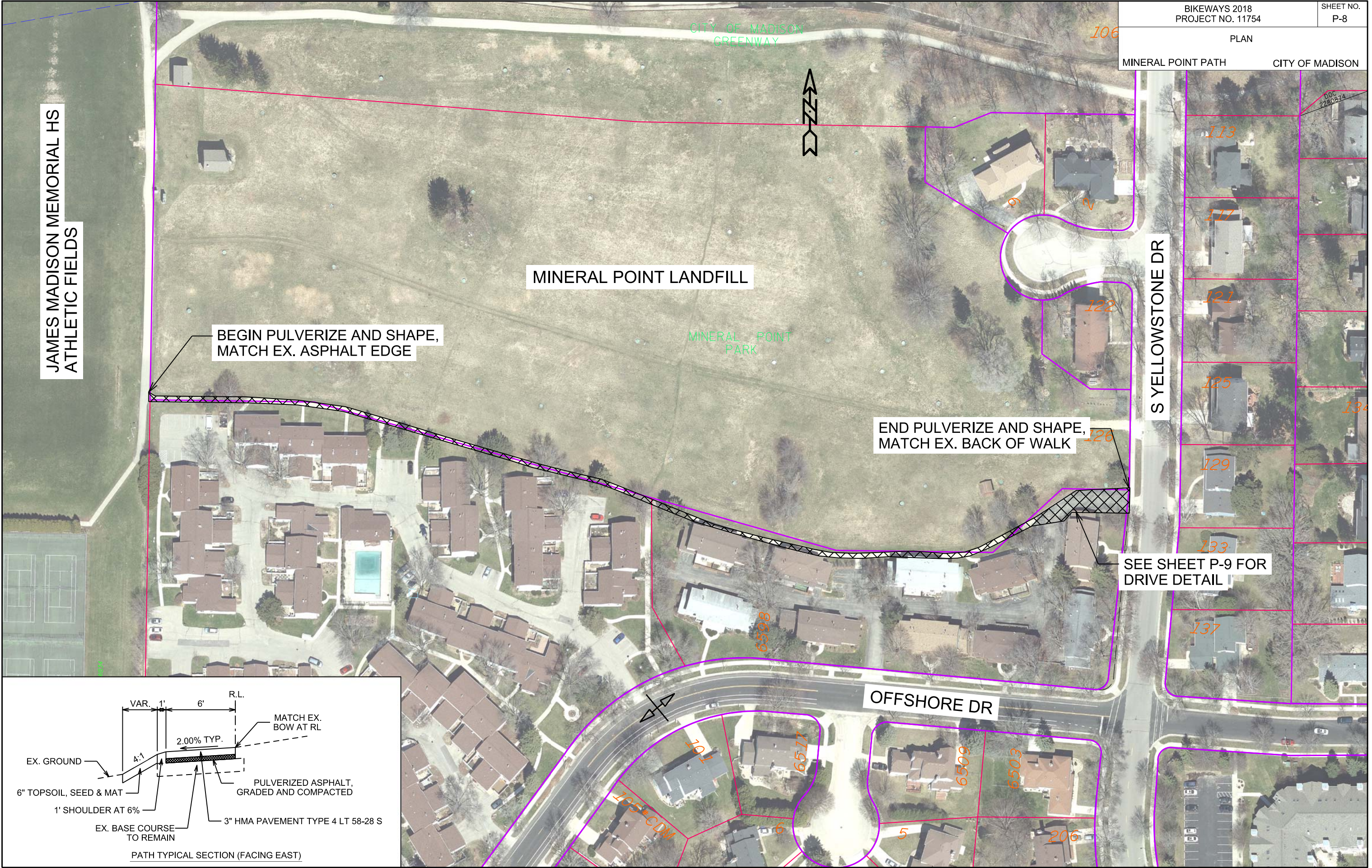
END PULVERIZE AND SHAPE,
MATCH EX. PAVEMENT EDGE

PLOT SCALE: _____

PLOT NAME: _____

REV. DATE: _____

ORIGINATOR: CITY OF MADISON, STREETS DIVISION



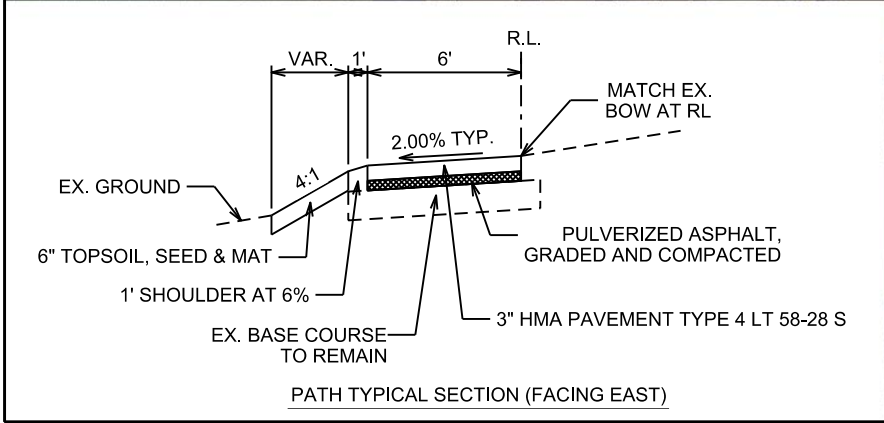
JAMES MADISON MEMORIAL HS
ATHLETIC FIELDS

MINERAL POINT LANDFILL

BEGIN PULVERIZE AND SHAPE,
MATCH EX. ASPHALT EDGE

END PULVERIZE AND SHAPE,
MATCH EX. BACK OF WALK

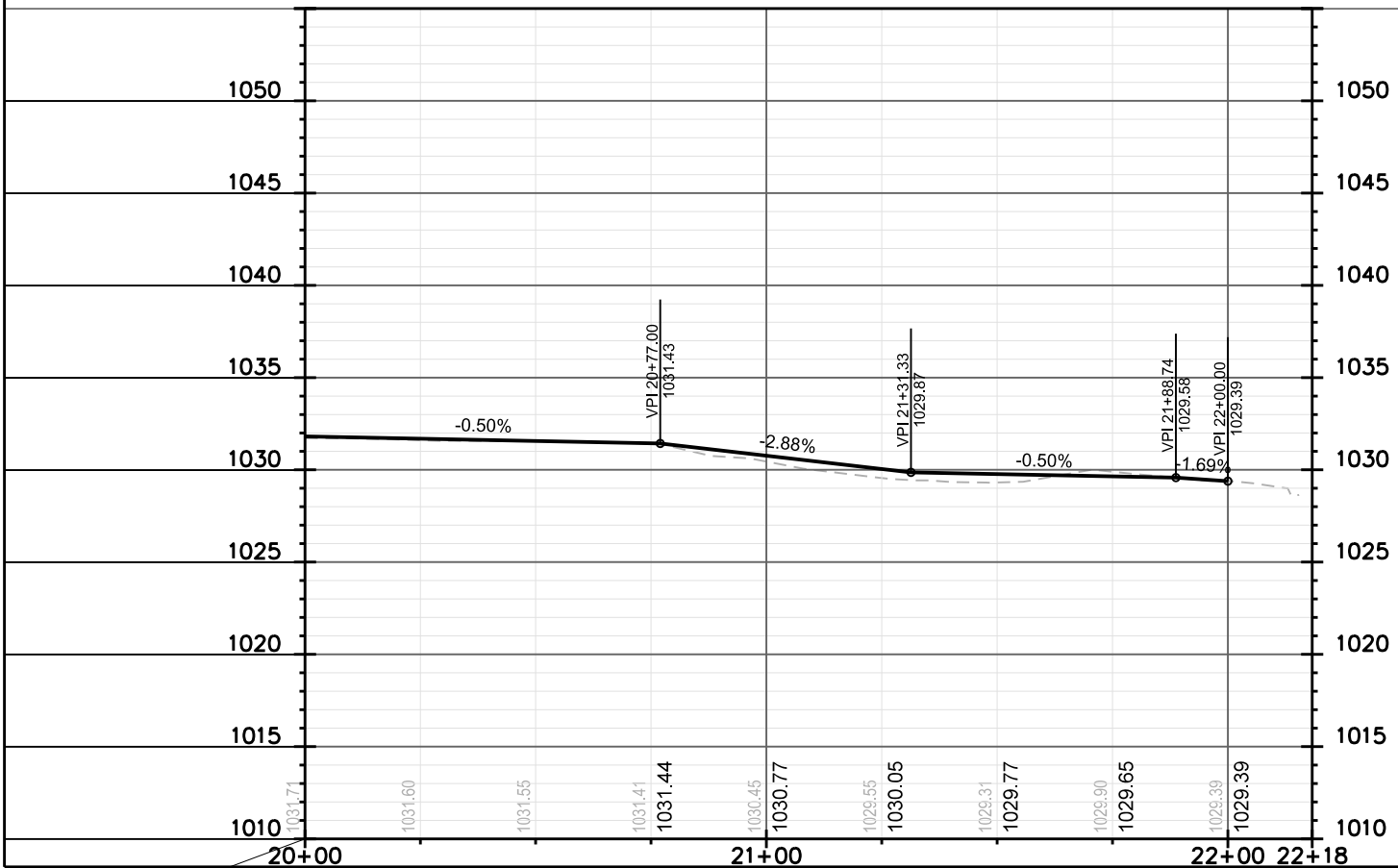
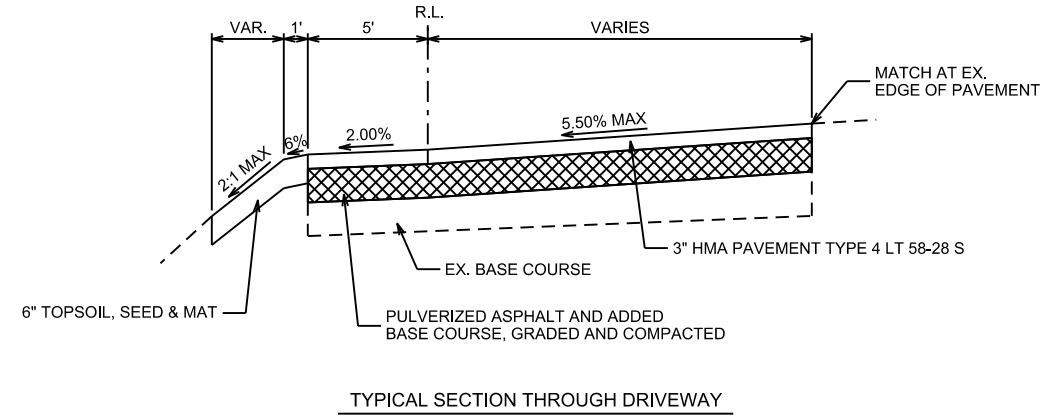
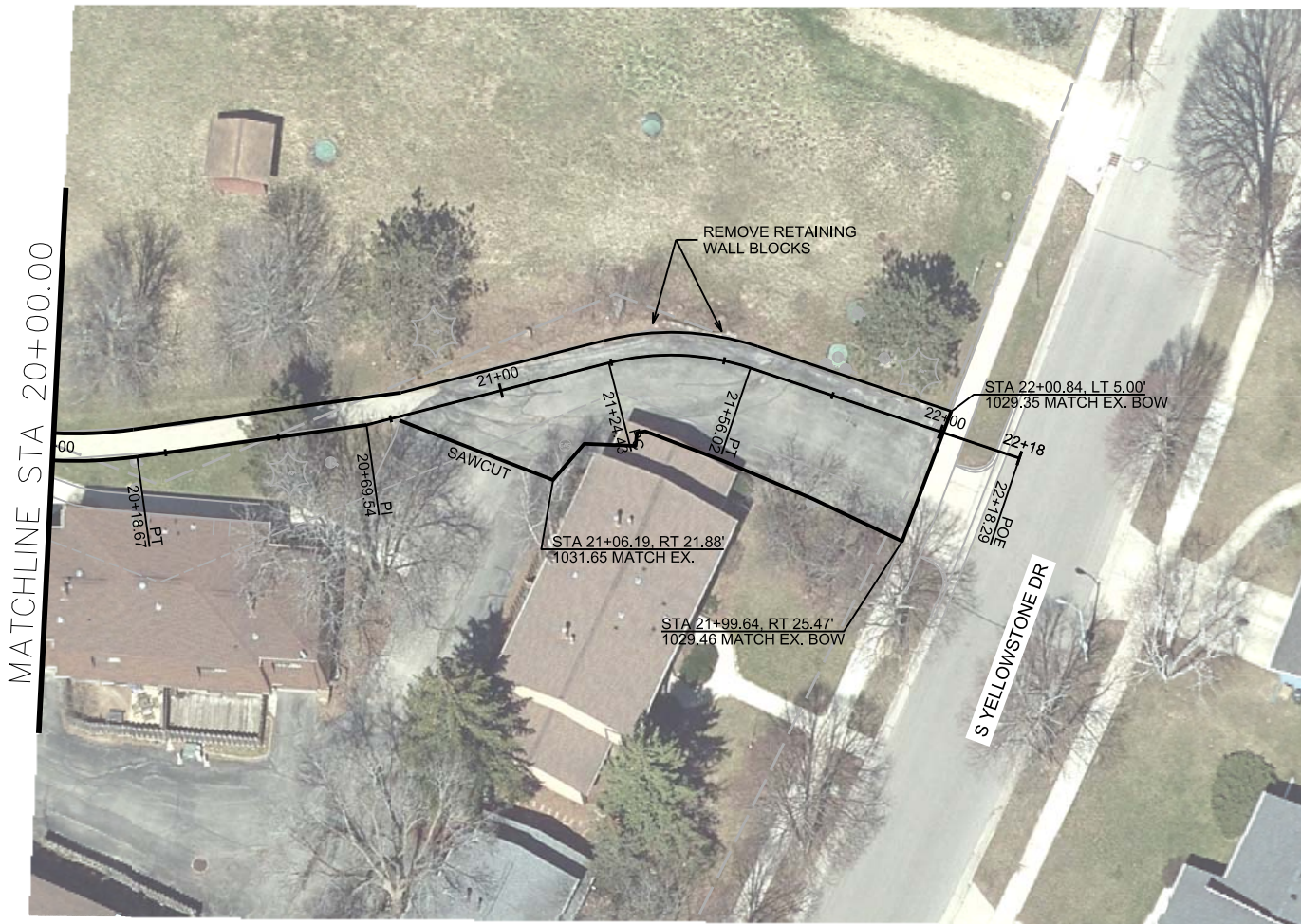
SEE SHEET P-9 FOR
DRIVE DETAIL



PLOT SCALE: _____

REV. DATE: _____

ORIGINATOR: CITY OF MADISON, STREETS DIVISION



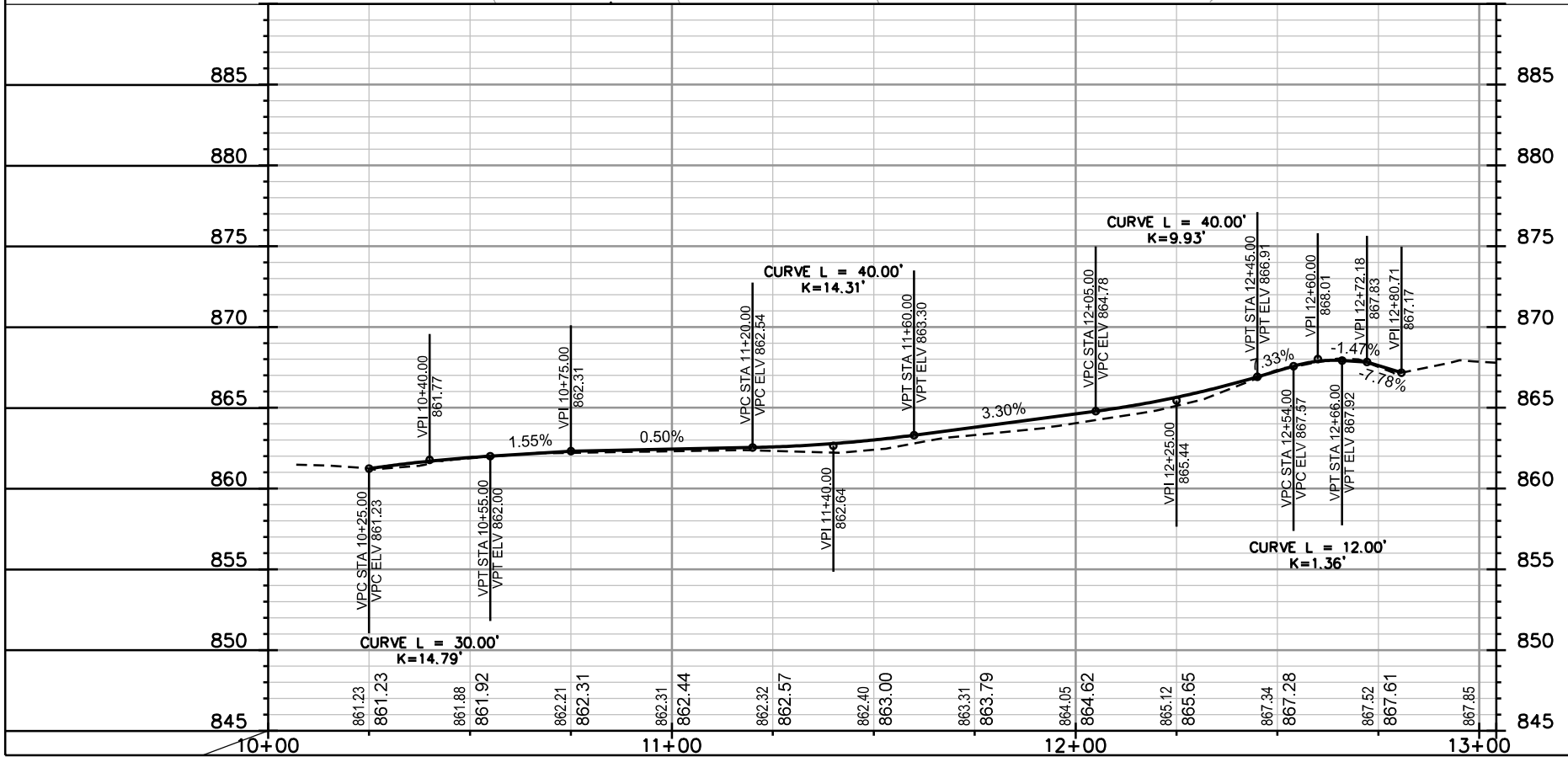
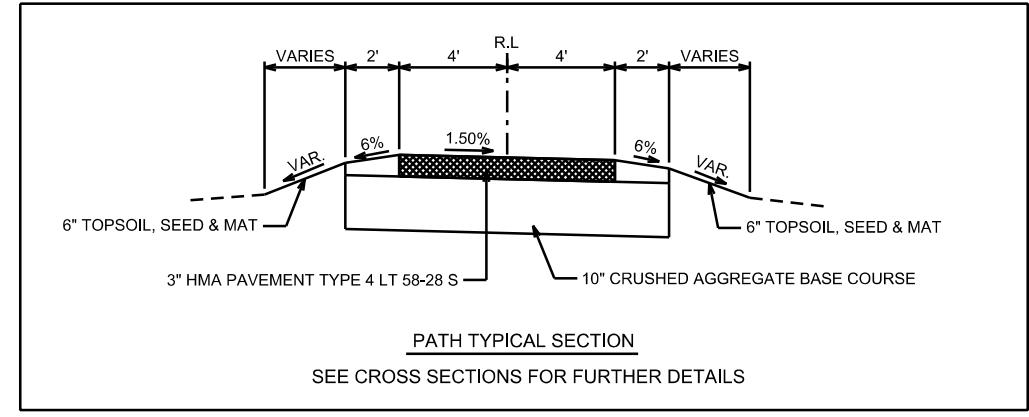
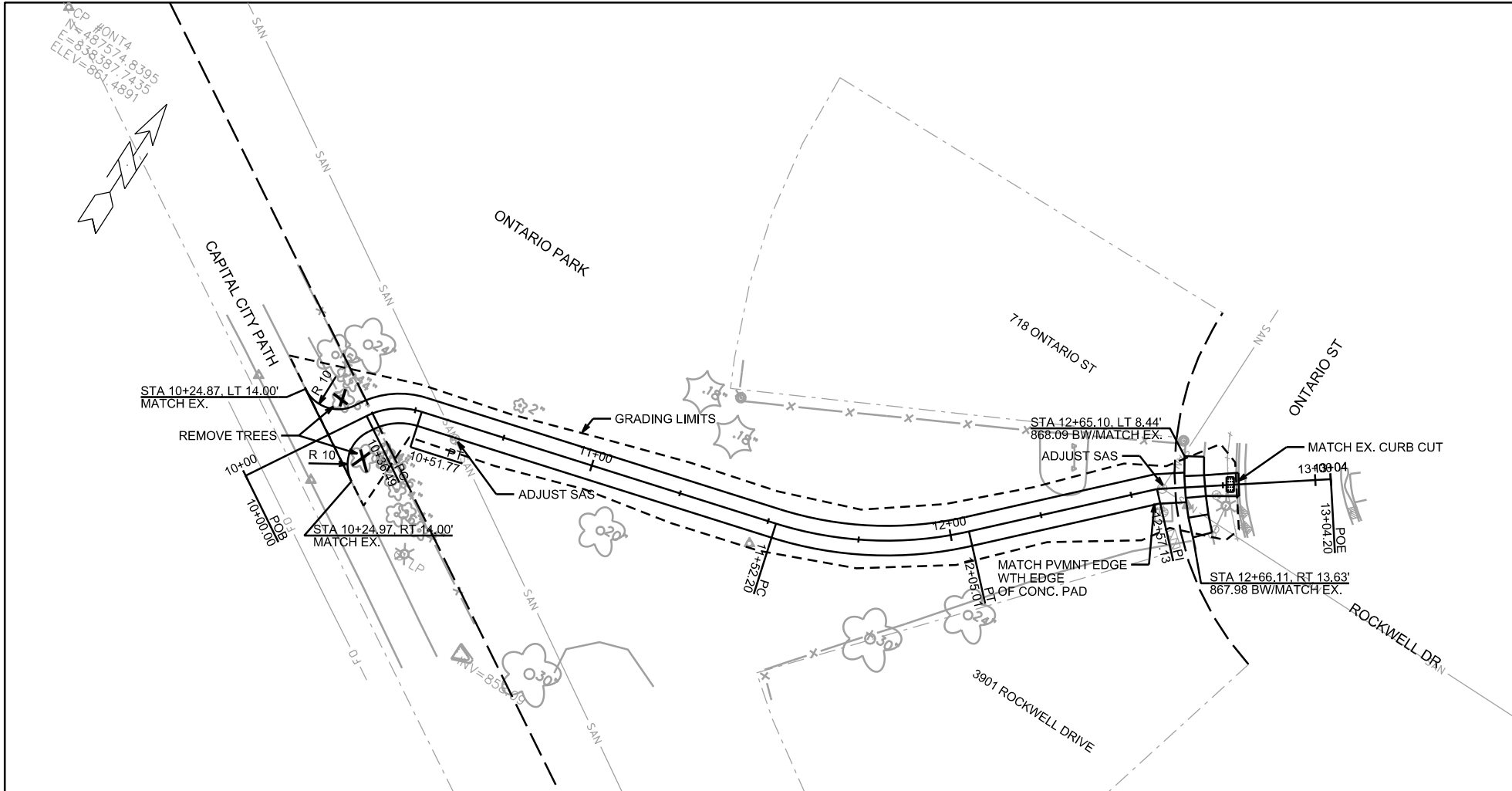
PLOT SCALE: _____

PLOT NAME: _____

REV. DATE: _____

ORIGINATOR: CITY OF MADISON, STREETS DIVISION

PLAN AND PROFILE
ONTARIO PARK PATH CITY OF MADISON

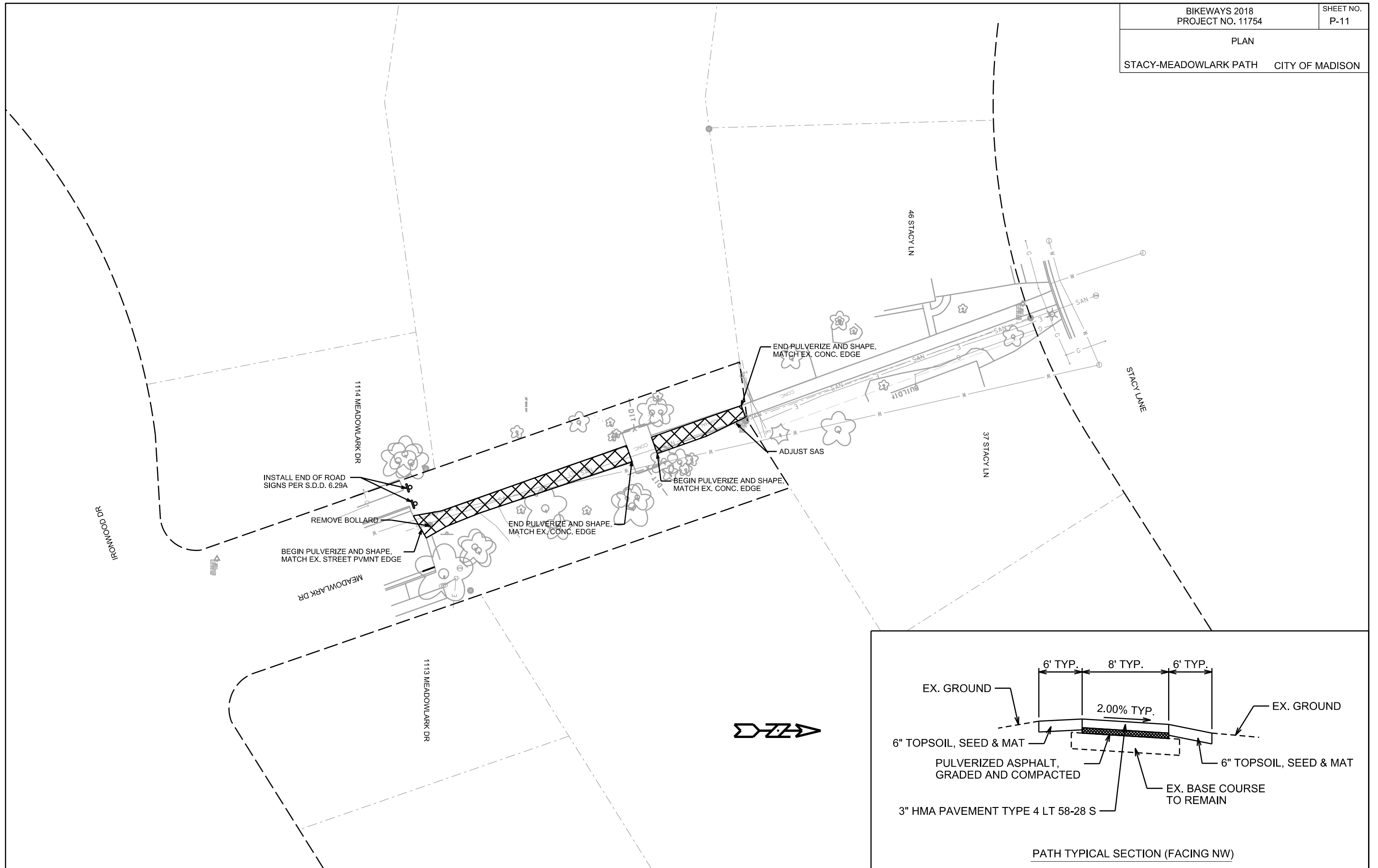


PLOT SCALE: _____

PLOT NAME: _____

REV. DATE: _____

ORIGINATOR: CITY OF MADISON, STREETS DIVISION

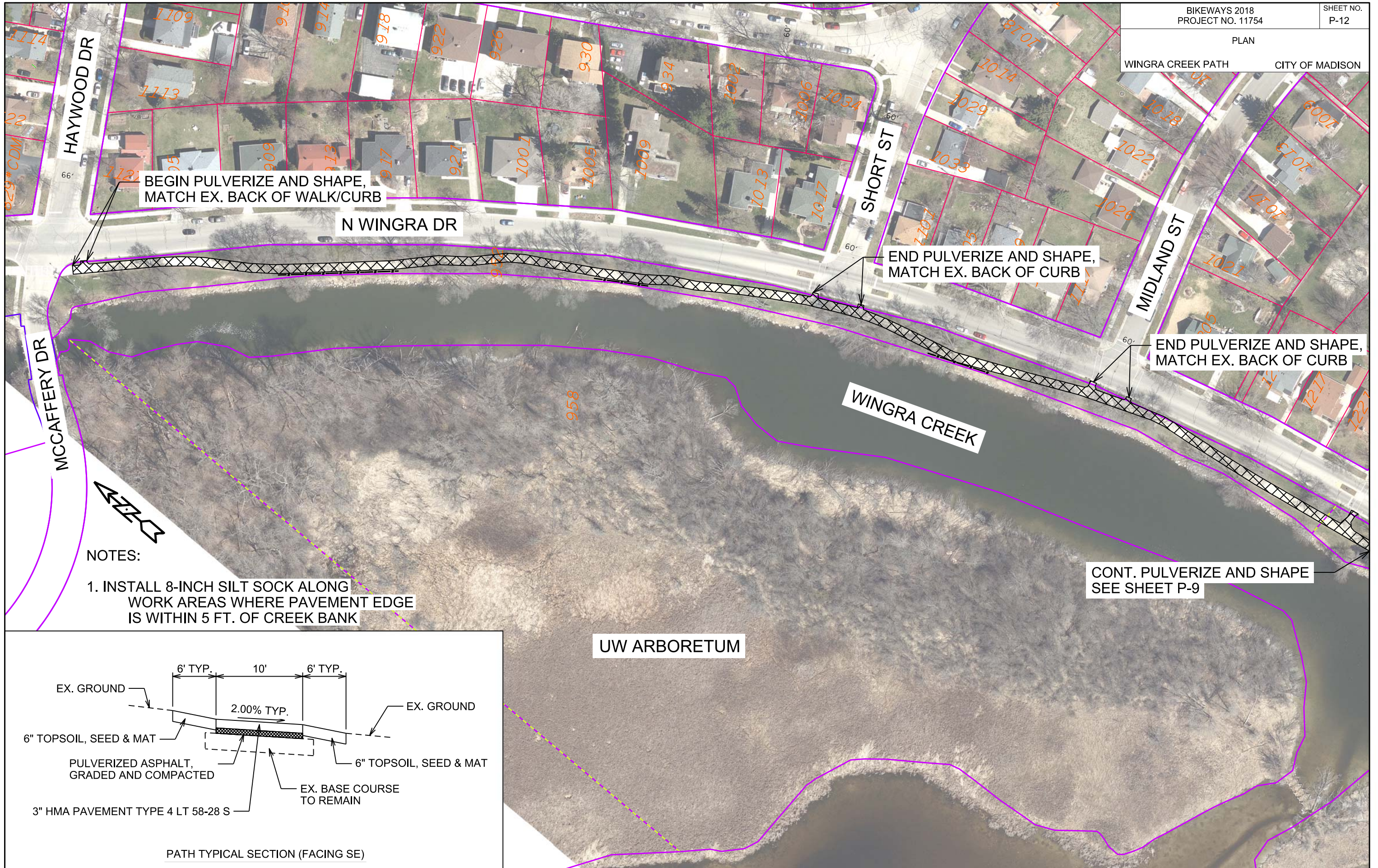


PLOT SCALE:

PLOT NAME:

REV. DATE:

ORIGINATOR: CITY OF MADISON, STREETS DIVISION



BEGIN PULVERIZE AND SHAPE,
MATCH EX. BACK OF WALK/CURB

N WINGRA DR

END PULVERIZE AND SHAPE,
MATCH EX. BACK OF CURB

SHORT ST

END PULVERIZE AND SHAPE,
MATCH EX. BACK OF CURB

MIDLAND ST

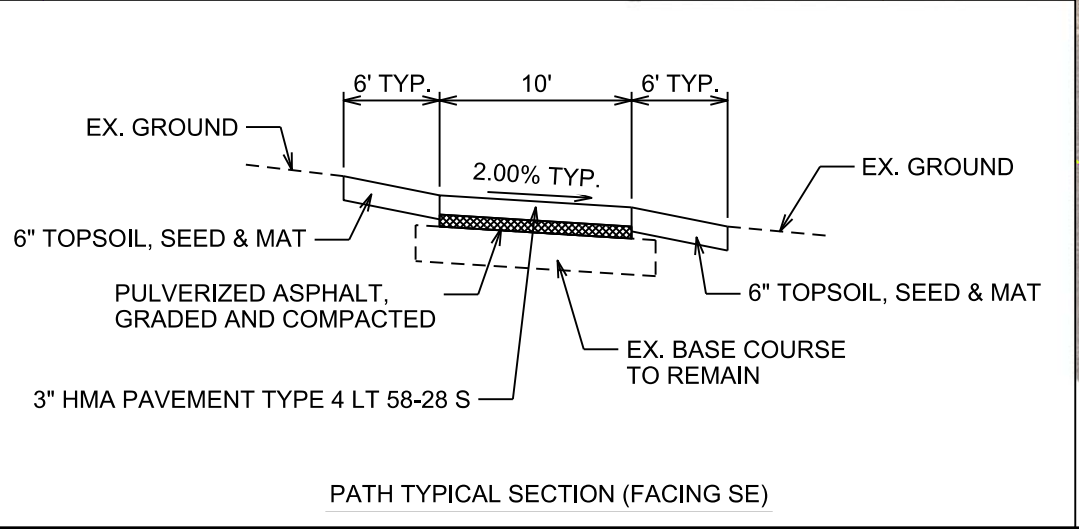
WINGRA CREEK

CONT. PULVERIZE AND SHAPE
SEE SHEET P-9

UW ARBORETUM

NOTES:

- 1. INSTALL 8-INCH SILT SOCK ALONG WORK AREAS WHERE PAVEMENT EDGE IS WITHIN 5 FT. OF CREEK BANK

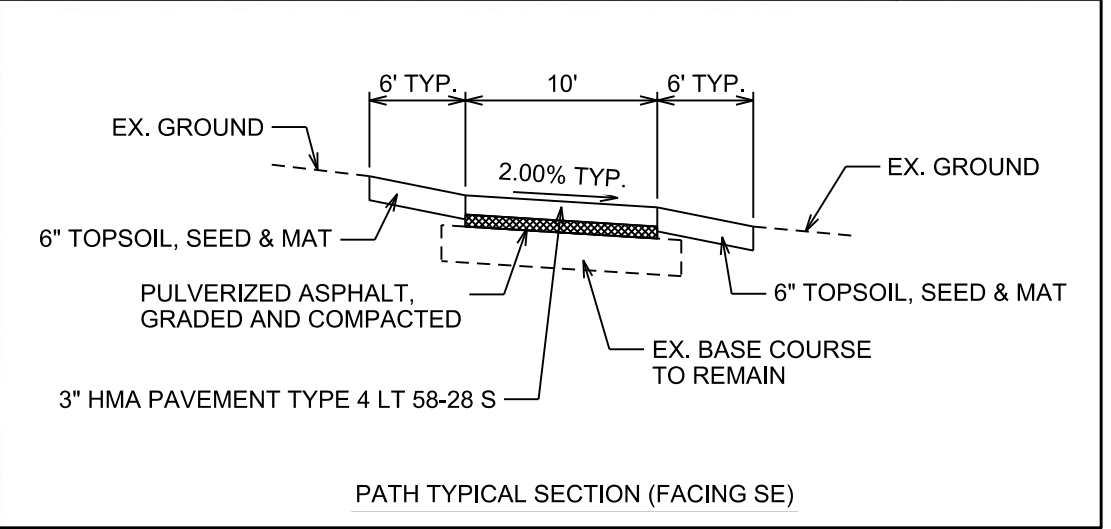
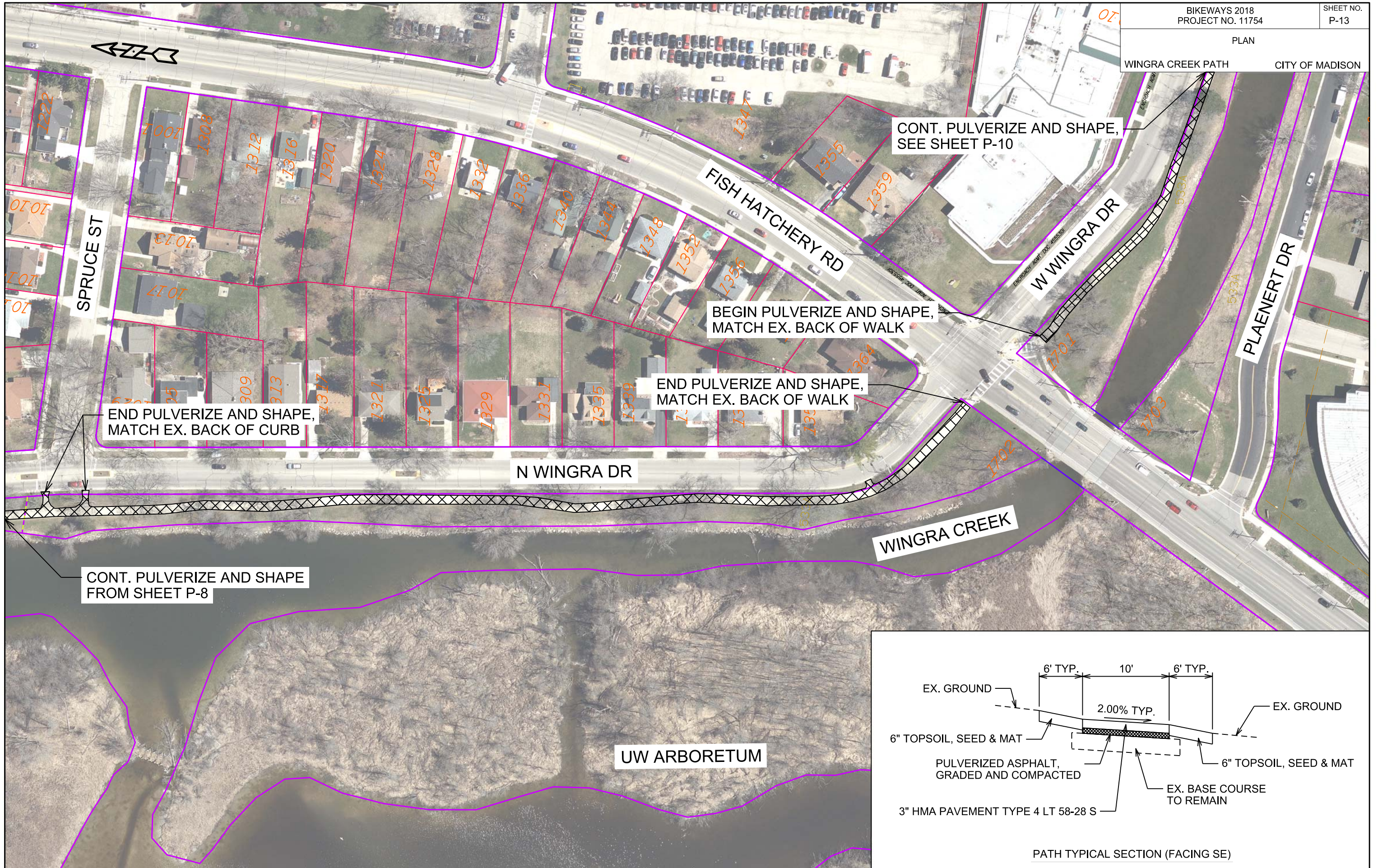


PLOT SCALE: _____

PLOT NAME: _____

REV. DATE: _____

ORIGINATOR: CITY OF MADISON, STREETS DIVISION

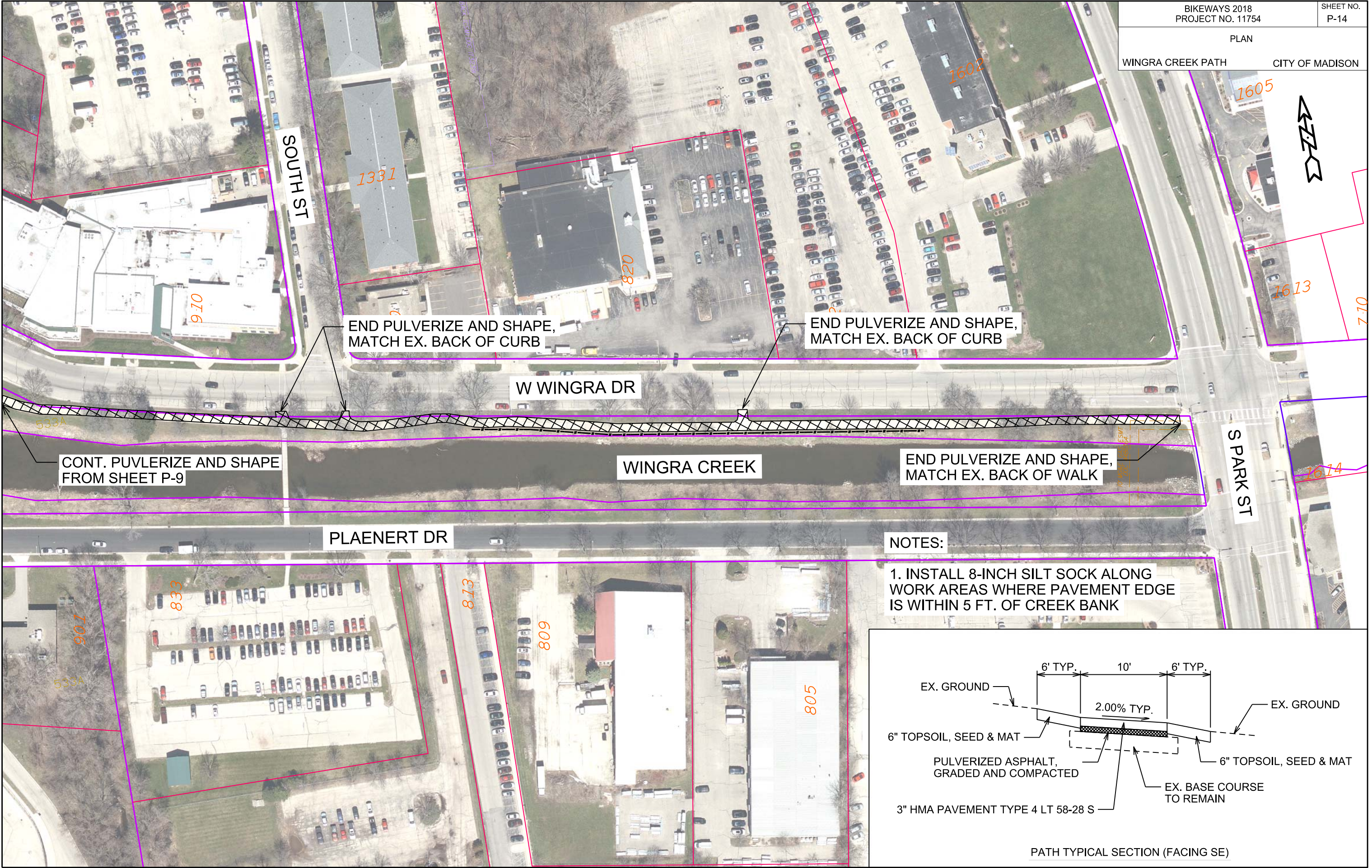


PLOT SCALE: _____

PLOT NAME: _____

REV. DATE: _____

ORIGINATOR: CITY OF MADISON, STREETS DIVISION



END PULVERIZE AND SHAPE,
MATCH EX. BACK OF CURB

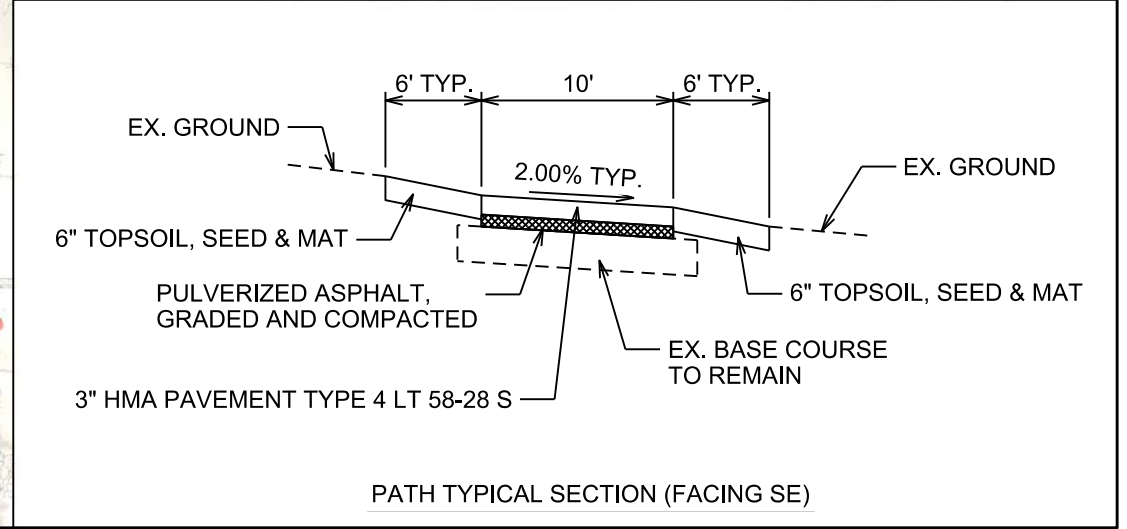
END PULVERIZE AND SHAPE,
MATCH EX. BACK OF CURB

CONT. PUVLERIZE AND SHAPE
FROM SHEET P-9

END PULVERIZE AND SHAPE,
MATCH EX. BACK OF WALK

NOTES:

- 1. INSTALL 8-INCH SILT SOCK ALONG WORK AREAS WHERE PAVEMENT EDGE IS WITHIN 5 FT. OF CREEK BANK

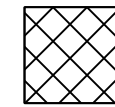


PLOT SCALE: _____

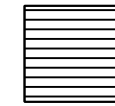
PLOT NAME: _____

REV. DATE: _____

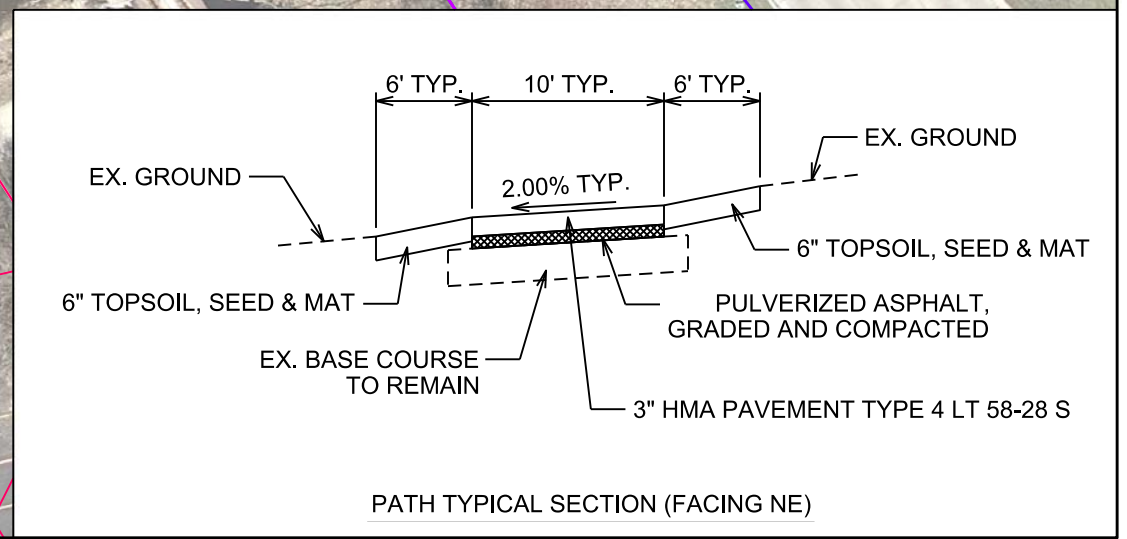
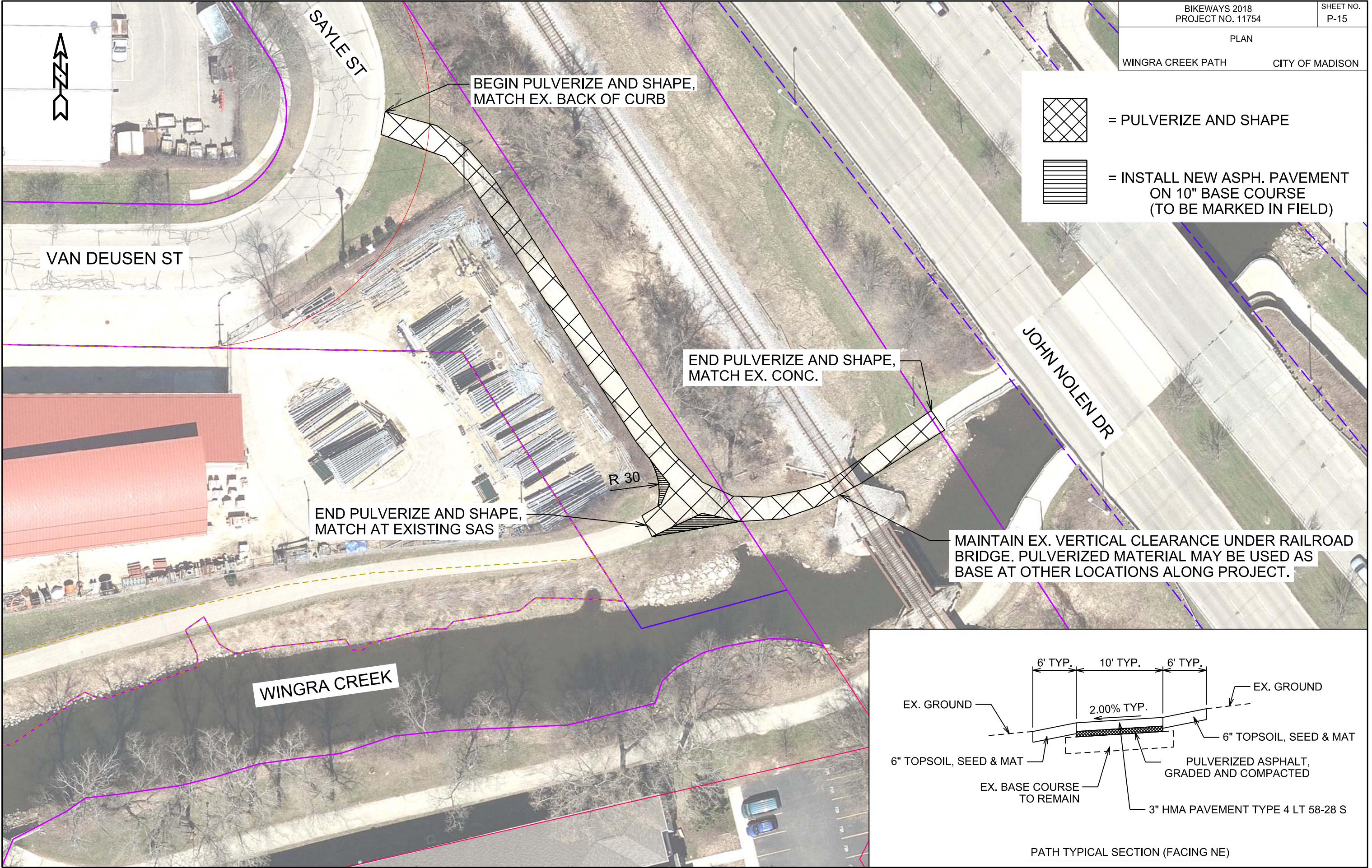
ORIGINATOR: CITY OF MADISON, STREETS DIVISION



= PULVERIZE AND SHAPE



= INSTALL NEW ASPH. PAVEMENT
ON 10" BASE COURSE
(TO BE MARKED IN FIELD)



PLOT SCALE: _____

PLOT NAME: _____

REV. DATE: _____

ORIGINATOR: CITY OF MADISON, STREETS DIVISION

CROSS SECTIONS
ONTARIO PARK PATH CITY OF MADISON

PLOT SCALE: _____

PLOT NAME: _____

REV. DATE: _____

ORIGINATOR: CITY OF MADISON - STREETS DIVISION

